

## Smart 3D Circular Platform Automation

### Business Process Automation

#### Customer Benefits

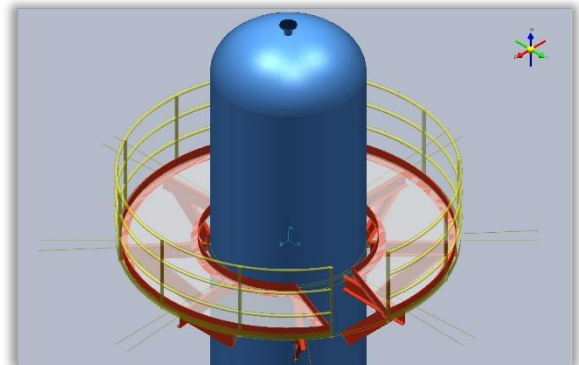
Minimised disruption and retained high productivity while transitioning from PDS to Smart 3D.

#### Our Services

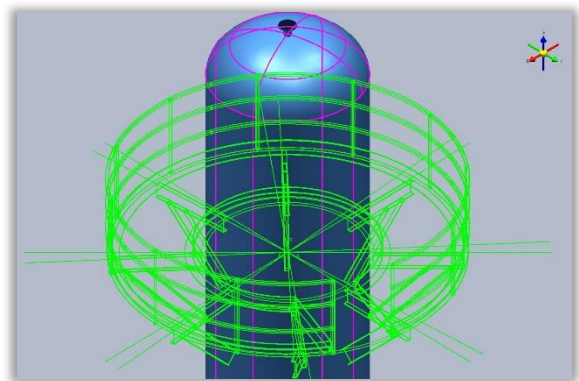
Developed a new custom user command.  
Application testing against current and previous versions of Smart 3D.

#### The Client

Our customer is a French multinational company which supplies industrial gases and services to various industries including medical, chemical and electronic manufacturers. Founded in 1902, it is the world's second largest supplier of industrial gases by revenues and has operations in over 80 countries. The company's Global E&C Solutions is the business unit of the Group in charge of Engineering and Construction. It is recognized as a technology partner of choice for the design, engineering and construction of leading-edge processing facilities and related infrastructures worldwide.



Isometric View of Circular Platform [After Placement]



Equipment and Elevation selected to place Circular Platform

#### Project Challenge

The company's Global E&C Solutions has developed custom parametric modelling language (PML) programs for Intergraph's FrameWorks Plus, automating the creation of a variety of common structural arrangements. These programs prompt the user for a variety of user input parameters, and then generate structural objects within the FrameWorks Plus model representing the intended structures.

The company's Global E&C Solutions has developed custom parametric modelling language (PML) programs for Intergraph's FrameWorks Plus, automating the creation of a variety of common structural arrangements. These programs prompt the user for a variety of user input parameters, and then generate structural objects within the FrameWorks Plus model representing the intended structures.



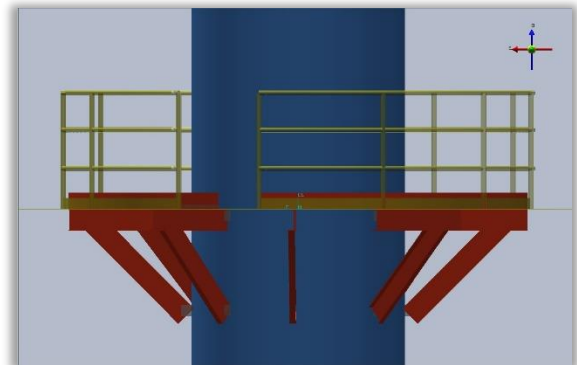
## Our Solution

Our team received the customers' existing PML programs, performed an analysis of the logic and considered several alternative approaches to migrate the program to S3D. After review, the decision was taken to re-implement the program as a native S3D user command.

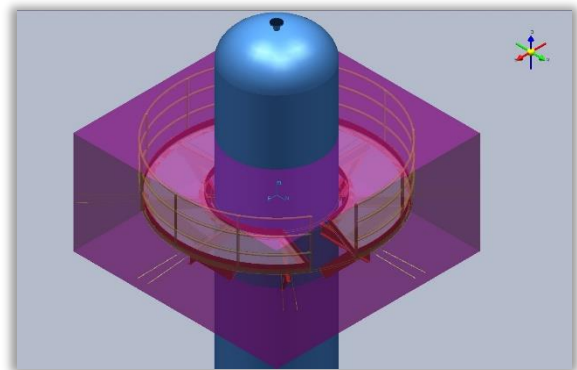
We then developed a new custom user command which presented a very similar user interface to the original PML program, ensuring a straightforward transition from the original to the new program, and requiring minimal re-training or explanation to end users.

Our experts also performed thorough testing of the application, ensuring the positioning and orientation of structural elements matched those produced by the original PML program (given identical inputs). The program was also enhanced to interoperate with and utilise standard S3D functionality such as security groups and handrail placement logic.

The resulting user command was delivered to the customer in versions compatible with S3D 2011 R1 and 2014 R1, ensuring operability in current and future company specific environments.



Top and Elevation views of Circular Platform [After Placement]



Drawing generation volume placed automatically around platform

If a Smart 3D Circular Platform Automation is a service that you need, [contact us](#) today for a quotation.

## Contact us

[info@tecsurge.com](mailto:info@tecsurge.com)

